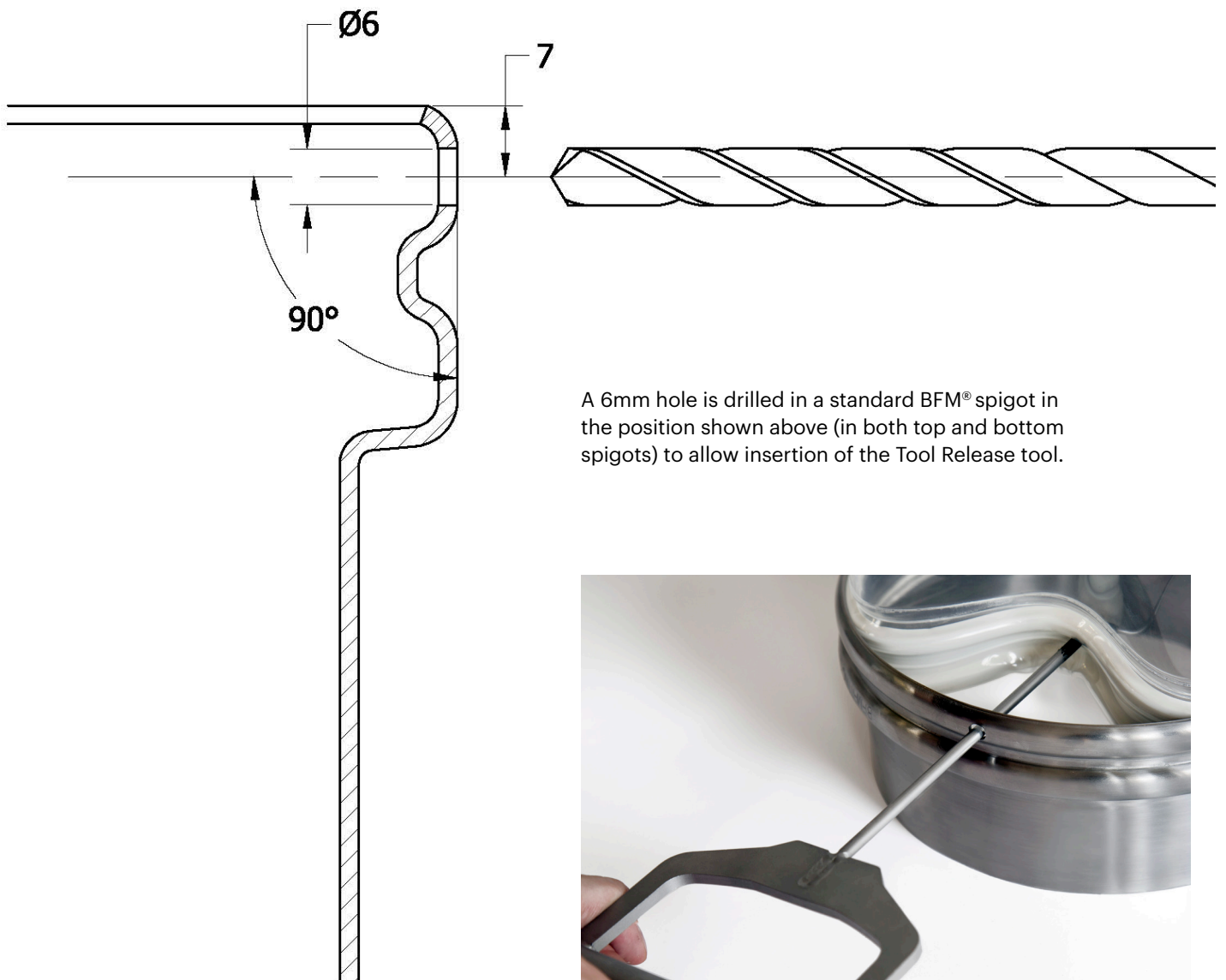


Drill-point position for Tool Release (TR) fittings



A 6mm hole is drilled in a standard BFM® spigot in the position shown above (in both top and bottom spigots) to allow insertion of the Tool Release tool.